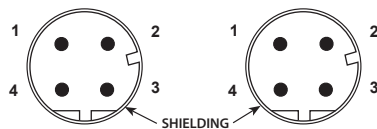
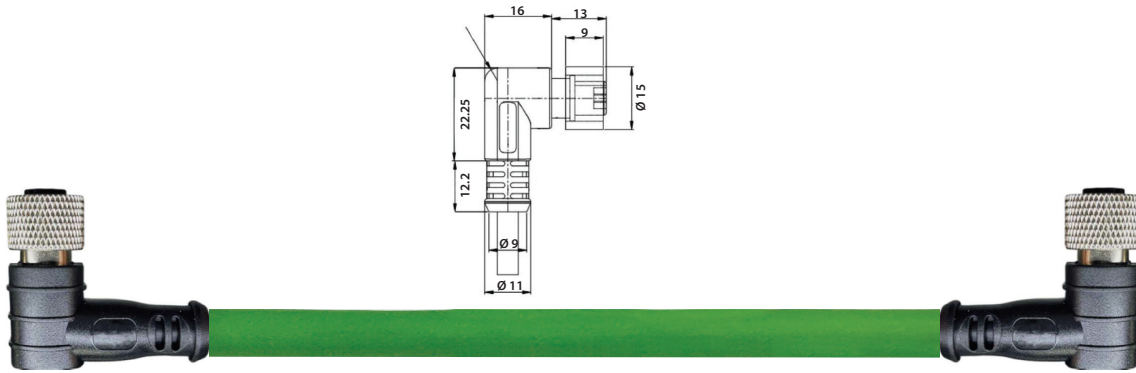


ERFD-FAFA4A-0,30GPUR

D Code M12 Female 90° Angled, D Code M12 Female 90° Angled, 4 Pin, PUR, 0,30 Meters



Technical Data

| | | | |
|-----------------------|-----------------|---------------------------|---------------------------------|
| Standard | IEC 61076 | Contact Carriers Material | CU / AU |
| Series | Female , Angled | Contact Material | Copper Alloy, Gold-Plated |
| Pin | Cu / Au | Metal of Nut | Copper Alloy with Nickel Plated |
| Rated Current | 1,5 A max | Seal | Silicone |
| Rated Voltage | 60V max. | Cable Jacket Material | PUR |
| Insulation Resistance | ≥100MΩ | Color | Optional |
| Contact Resistance | ≤ -5mΩ | Shielding | Optional |
| Ambient Temperature | -25 ~ +85°C | Mechanical Life | > 100 Mating Cycles |
| IP Class | IP67 | — | — |

| ARTICLE NO | TYPE | ANGLE | PIN | CABLE LENGTH | COLOR | CABLE TYPE | CABLE SECTION |
|----------------------|-------|-------|-------|--------------|-------|------------|---------------|
| ERFD-FAFA4A-0,30GPUR | F - F | A - A | 4 PIN | 0,3 METERS | GREEN | PUR | 4 x 1 x AWG26 |