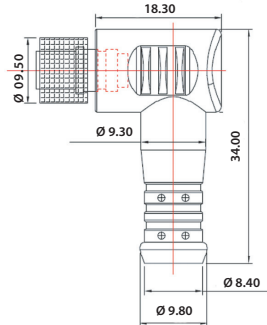
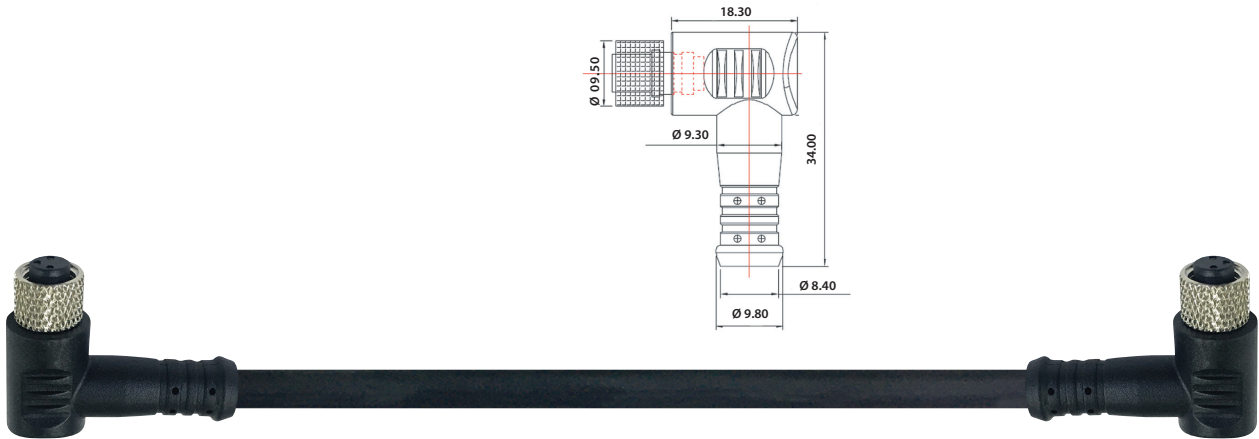
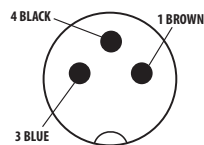


ERF8-FAFA3C-20BPUR

M8 Female, 90° Angled, Female, 90° Angled, 3 Pin, PUR, 20 Meters, 3x0,22 mm²



3 PIN FEMALE



Technical Data

| | | | |
|-----------------------|--------------------|---------------------------|---------------------------------|
| Standard | IEC 61076 | Contact Carriers Material | PU / PA |
| Series | M8, Female, Angled | Contact Material | Copper Alloy, Gold-Plated |
| Number of Pins | 03 Pin | Metal of Nut | Copper Alloy with Nickel Plated |
| Rated Current | 3A max. | Seal | Silicone |
| Rated Voltage | 60V max. | Cable Jacket Material | PUR |
| Insulation Resistance | ≥100MΩ | Color | Optional |
| Contact Resistance | ≤ -5mΩ | Shielding | Optional |
| Ambient Temperature | -25 ~ +75°C | Mechanical Life | > 100 Mating Cycles |
| IP Class | IP67 | — | — |

| ARTICLE NO | TYPE | ANGLE | PIN | CABLE LENGTH | COLOR | CABLE TYPE | CABLE SECTION |
|--------------------|-------|-------|-------|--------------|-------|------------|--------------------------|
| ERF8-FAFA3C-20BPUR | F - F | A - A | 3 PIN | 20 METERS | BLACK | PUR | 3 x 0,22 mm ² |